

Multipurpose Table

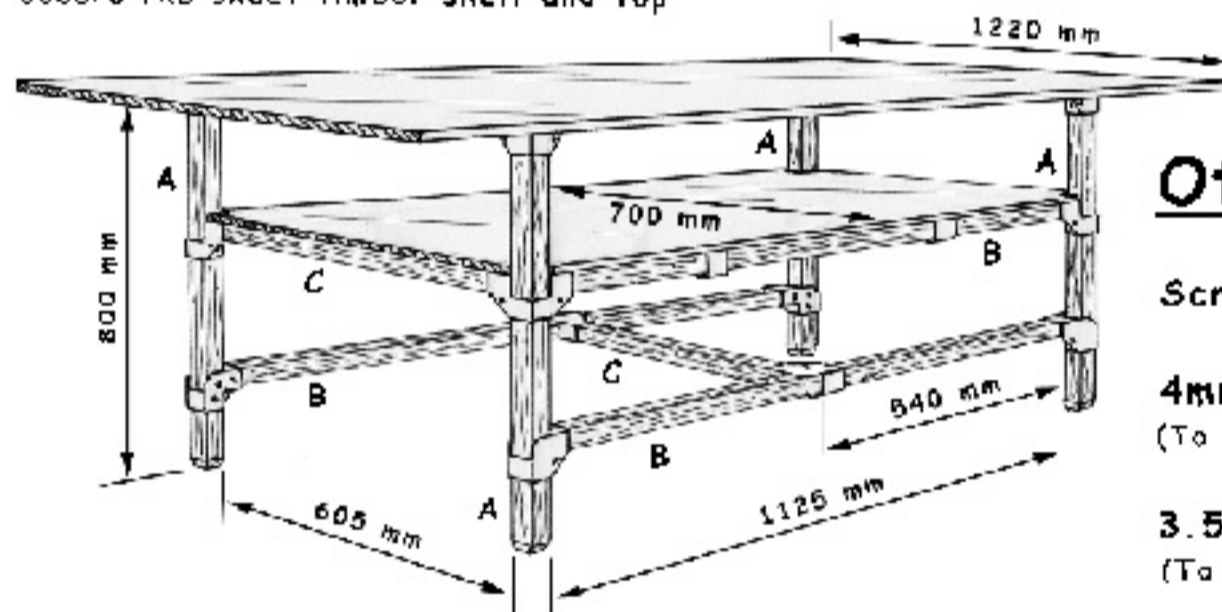
This WoodLoC multipurpose table is the perfect item for an active family. It can be used for games, meals or general purpose tasks that require a large flat space indoors anytime or outdoors during the summer. The added value provided by the large shelf underneath is ideal for storage whilst the top is in use.

The table can also be stored easily afterwards by removing the top. To ensure quick reassembly, leave the 4 off WL 4's attached to the underside of the top and remove the screws that secure these junctions from the legs instead.

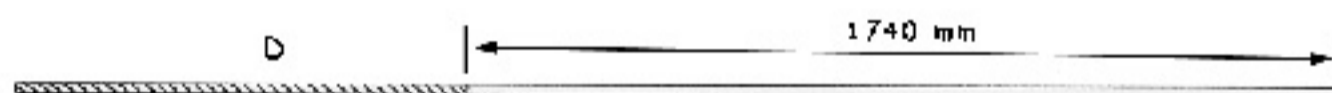
Don't forget, that with WoodLoC being so simple and fast to use, you can always change this design and make your own personalized project.

Tools Required:- Pencil, Tape Measure, Saw, Power Screwdriver, Sand paper & Safety Goggles.

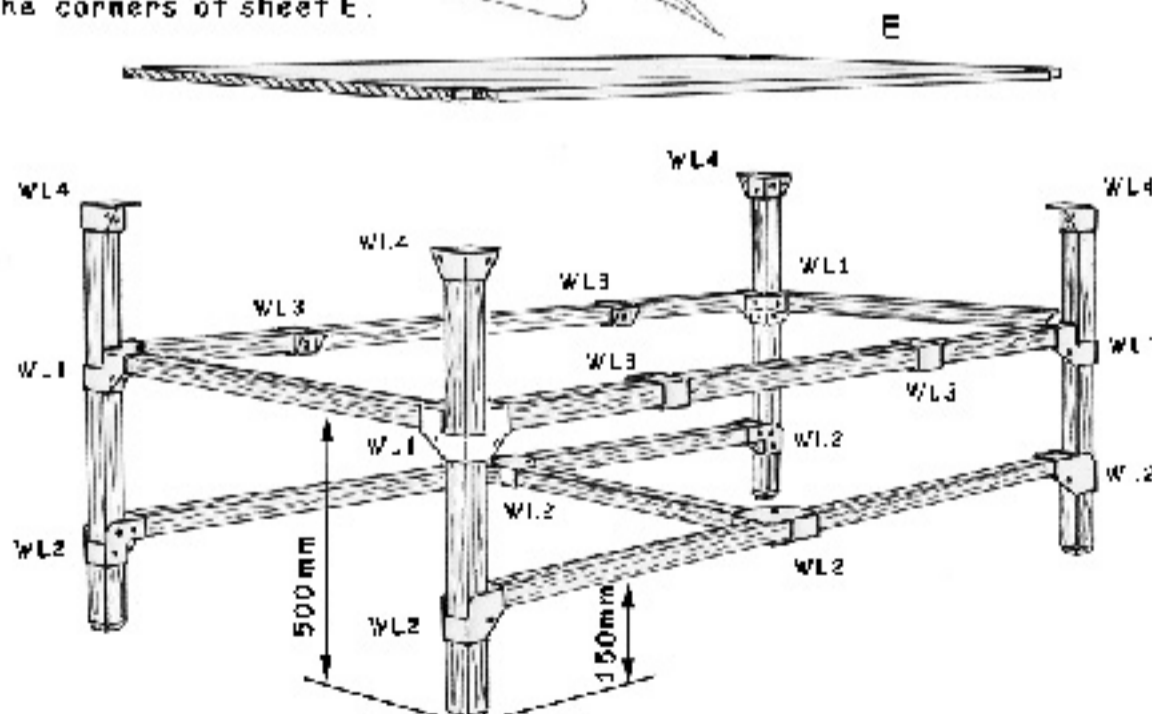
Handy Hints:- Construct both sides of the table side by side first. Then complete the framework by inserting the three horizontal pieces. Finally, secure the sheet timber shelf and top



Protect your WoodLoC multipurpose table by using exterior woodstain or paint prior to assembly.



Cut 4 off notches 46 mm x 46 mm square in the corners of sheet E.



WoodLoC®

Cutting List (From Timber Merchant)

Planed Timber 45mm x 45mm or 44mm x 44mm

A	-	800mm	-	4 off
B	-	1125 mm	-	4 off
C	-	605 mm	-	3 off

MDF 18mm Thickness

D	-	1740mm x 1220mm	-	1 off
E	-	700mm x 1220mm	-	1 off

Other Materials (Included)

Screws 

4mm x 30mm Crosshead CSK - 70 off
(To secure square timber to WoodLoC junctions)

3.5mm x 12mm Crosshead CSK - 24 off
(To secure sheet timber to WoodLoC junctions)

Caps 

Black Plastic Screw Covers - 90 off

WoodLoC Junctions

-  WL1 - 4 off
-  WL2 - 6 off
-  WL3 - 4 off
-  WL4 - 4 off

